

MAX-8

V1906.02



TOYO

MAX-8

Excellent Performances & Reliability

CPCD45T8/CPCD50T8-X

T8 Diesel Forklift 4.5/5.0t



PT. BADAQ PRIMA LESTARI

Kawasan Industri Millenium, Jl. Millenium 15 Blok I-2 No. 3A, Desa Peusar,
Kecamatan Panongan, Kabupaten Tangerang, Banten 15710 INDONESIA

Tel: +62 59986616 / 30 , Fax.: +62 59986847

E-mail: sales@badakprima.co.id

www.badakprima.co.id

CPCD45T8/CPCD50T8-X

T8 Diesel Forklift 4.5/5.0t

		TOYO											
		CPCD45T8		CPCD50T8-X		CPCD45T8		CPCD50T8-X		CPCD45T8		CPCD50T8-X	
General	1	Manufacture											
	2	Model		Diesel		Diesel		Diesel		Diesel		Diesel	
	3	Power type		Diesel		Diesel		Diesel		Diesel		Diesel	
	4	Rated capacity		Kg		5000		5000		4500		4500	
	5	Load center		mm		500		500		500		500	
	6	Lift height		mm		3000		3000		3000		3000	
Dimensions	7	Free lift height		mm		150		150		150		150	
	8	Fork size		L×W×T		1070×150×55		1070×150×55		1070×150×55		1070×150×55	
	9	Mast tilt range		°/R		6/10		6/10		6/10		6/10	
	10	Fork overhang(wheel center to fork face)		mm		565		565		565		565	
	11	Rear overhang		mm		540		540		540		540	
	12	Length to face of fork		mm		3070		3070		3070		3070	
	13	Overall width		mm		1480		1480		1480		1480	
	14	Mast lowered height		mm		2265		2265		2265		2265	
	15	Mast extended height		mm		4250		4250		4250		4250	
	16	Overhead guard height		mm		2250		2250		2250		2250	
Performance	17	Turning radius(outside)		mm		2830		2830		2830		2830	
	18	Min.right angle stacking aisle wiath (Add load length and clearance)		mm		3595		3595		3595		3595	
	19	Travel (No/Full load)		Km/h		22/20		22/20		22/20		22/20	
	20	Speed		mm/sec		480/450		480/450		480/450		480/450	
	21	Max.Drawbar Pull (Full load)		N		21000		21000		21000		21000	
	22	Max.Gradeability (Full load)		%		20		20		20		20	
	23	Tyres		mm		300-15-14PR		300-15-14PR		300-15-14PR		300-15-14PR	
	24	Front		mm		700-12-12PR		700-12-12PR		700-12-12PR		700-12-12PR	
	25	Rear		mm		1180		1180		1180		1180	
	26	Font		mm		1190		1190		1190		1190	
Chassis	27	Rear		mm		2000		2000		2000		2000	
	28	Wheelbase		mm		160/140		160/140		160/140		160/140	
	29	Mast		mm		195/180		195/180		195/180		195/180	
	30	Ground clearance		mm		6770		6770		6770		6770	
	31	Self weight		kg		9805		9805		9805		9805	
	32	Full load		mm		1465		1465		1465		1465	
Weight	33	Rear		mm		3046		3046		3046		3046	
	34	Front		mm		3724		3724		3724		3724	
	35	No load		mm		24/60		24/60		24/60		24/60	
	36	Voltage/Capacity		V/AH		S65		QSF2.8		4D35ZG31		4D35ZG31	
	37	Modal				MITSUBISHI		CUMMINS		XIN CHAI		XIN CHAI	
	38	Manufacture				52/2300		55/2200		60/2200		60/2200	
Power & transmission	39	Rated output/r.p.m		kw		248/1700		300/1600		300/1600-1800		300/1600-1800	
	40	Rated torque/r.p.m		N.m		6		4		4		4	
	41	No.of cylinder				94*120		94*100		98*115		98*115	
	42	Bore×Stroke		mm		4996		2775		3460		3460	
	43	Displacement		cc		L		CHINA		CHINA		CHINA	
	44	Fuel tank capacity		L		Type		Powershift		Powershift		Powershift	
	45	Manufacture				Stage		FWD/RVS		2/1		2/1	
	46	Transmissions				Operating pressure		Mpa		17.5		17.5	
	47	Type											
	48	Stage											

1.Special lifting height available for further information please contact us. 2.Attachment available.

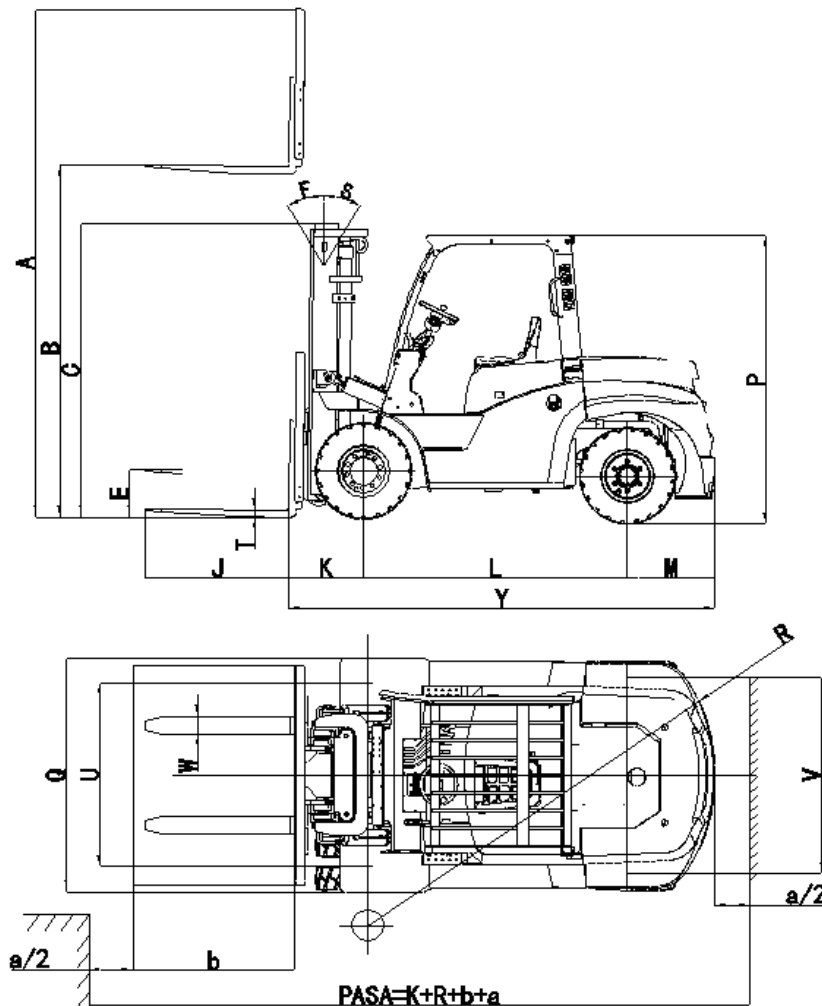
3.The specification in the table are for standard models only. For further information please contact us.

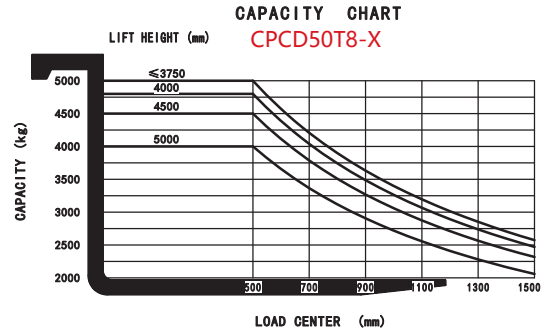
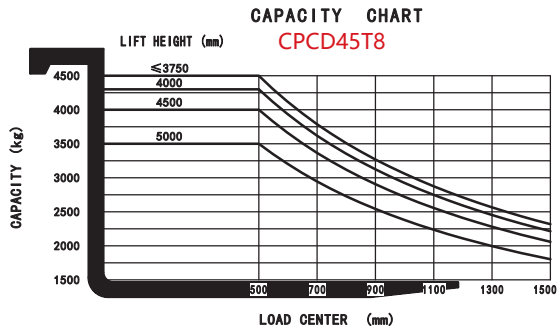
4.Specification are subject to change without notice.

Mast Option

4.5/5.0t T8 series mast: (pneumatic)

Type	Model	Max. fork height	Overall height				Free lift		Front Overhang	Tilt range		Capacity	
			Lowered	Extended		Without backrest	With backrest	FWD		BWD	Load capacity at 500 mm		
				Without backrest	With backrest						4.5t	5.0t	
													mm
Wide view mast	2W300	3000	2280	4175	3770	145	145	565	6	10	4500	5000	
	2W330	3300	2430	4475	4070	145	145	565	6	10	4500	5000	
	2W350	3500	2530	4675	4270	145	145	565	6	10	4500	5000	
	2W370	3700	2630	4875	4470	145	145	565	6	10	4350	4800	
	2W400	4000	2830	5175	4770	145	145	565	6	6	4250	4750	
	2W425	4250	2955	5425	5020	145	145	565	6	6	3800	4250	
wide view full 2-stage mast	2W450	4500	3080	5675	5270	145	145	565	6	6	3150	3500	
	2F271	2710	2250	3885	3480	1055	1355	565	6	10	4500	5000	
	2F300	3000	2395	4175	3770	1200	1500	565	6	10	4500	5000	
	2F330	3300	2545	4475	4070	1350	1650	565	6	10	4500	5000	
wide view full 3-stage mast	2F350	3500	2645	4675	4270	1450	1750	565	6	10	4500	5000	
	3F400	4000	2080	4780	5200	1230	900	578	6	6	4000	4500	
	3F435	4350	2195	5130	5550	1345	1015	578	6	6	3800	4250	
	3F450	4500	2245	5280	5700	1395	1065	578	6	6	3600	4000	
	3F470	4700	2310	5480	5900	1460	1130	578	6	6	3350	3750	
	3F500	5000	2460	5780	6200	1610	1280	578	6	6	3150	3500	
	3F550	5500	2680	6280	6700	1830	1500	578	3	6	2550	2850	
3F600	6000	2845	6780	7200	1995	1665	578	3	6	1950	2200		





Option

Options	45T8	50T8-X
1 Fork length	○	○
2 Fork extension	○	○
3 Fold fork	○	○
4 Imported diesel engine	○	○
5 High exhaust	○	○
6 Dual air cleaners or special air cleaner	○	○
7 Solid rubber tire	○	○
8 No marking solid tire	○	○
9 Overhead guard	●	●
10 Mast options	○	○
11 Attachments	○	○
12 Integrated side shift	○	○
13 Cabin	○	○
14 Heater	○	○
15 Front windshield with wiper	○	○
16 Rear windshield with wiper	○	○
17 Fan	○	○
18 Cabin without side door	○	○
19 Fire extinguisher	○	○
20 Suspension seat	○	○
21 Front work light	●	●
22 Rear working LED light	○	○
23 OPS system	○	○

Note: ● standard ○ option — NA

